



BALL BEARING
SLIDES

SUPER-RAIL

SUPER-RAIL

Integrated soft-close system

B.B. Slides with Premium Features



- An upgrade to conventional B.B. slides by adding soft-close dampening mechanisms
- Ideal for home or office applications that require full-extension drawers with modern features
- Built-in reset devices for the dampers provide trouble-free installation



Quietness



Intelligence



Durability



Eco-Friendliness

SUPER-RAIL

45mm Series Soft-close Round Profile Full Extension Ball Bearing Slides-Metric Sizes



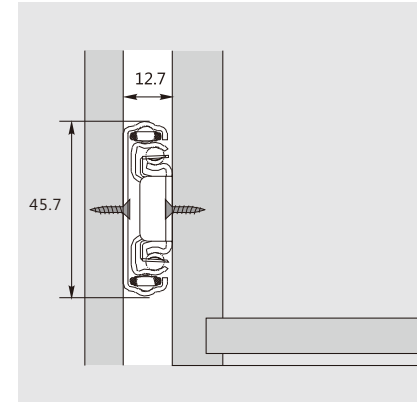
PRODUCT



DESCRIPTION

- Load capacity: 100lb(45kg)
- Finish: Blue zinc plated(B02), Black(D01)
- Lengths: 250-600 mm
- Single way travel

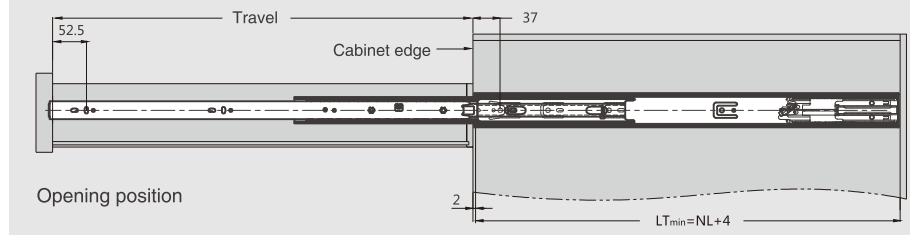
SPACE REQUIREMENT



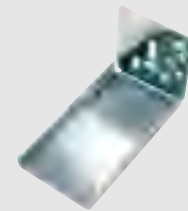
ORDER INFORMATION

Installation Dimensions(mm)

NL= Nominal Slide Length
LT= Internal Cabinet Depth

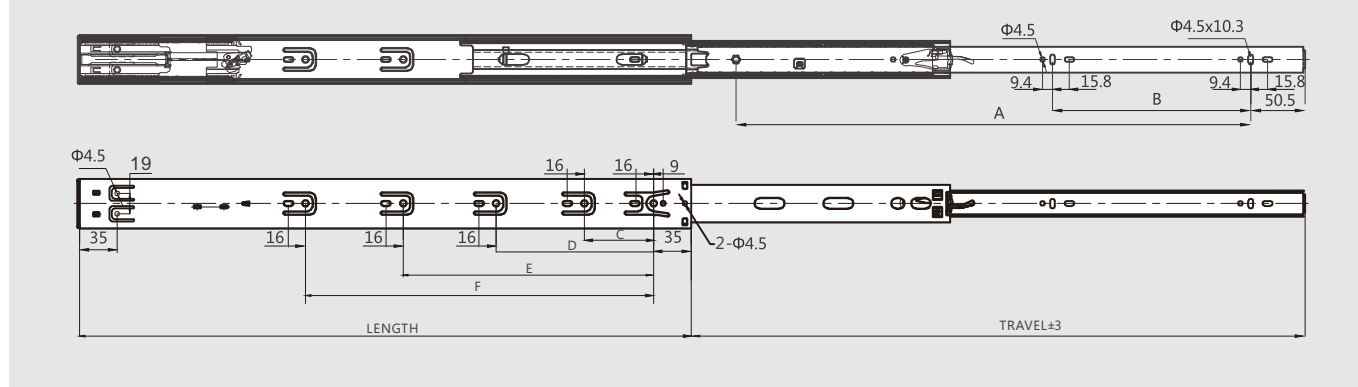


Metal Rear Bracket



Item No. **ZTT001H**
Pcs/ctn **200**

Screw Positions of the Slides(mm)



Installation Dimensions(mm)

Item No.	Length NL	Travel	Hole pattern						Set/ctn
			A	B	C	D	E	F	
4587110H	250	163.8	174						10
4587112H	300	263.8	224	64	96				10
4587114H	350	335.3	256	96	64	128			10
4587116H	400	401	320	128	64	128	192		10
4587118H	450	451	352	160	64	128	224		10
4587120H	500	501	416	192	64	128	256		10
4587122H	550	551	448	224	64	128	224	320	10
4587124H	600	601	512	224	64	128	224	352	10

DTC is always innovating!
For more information, please visit our website www.dtcctc.com

BALL BEARING
SLIDES SERIES

STANDARD
B.B.SLIDES

STANDARD B.B.

Convenient release mechanism

Easy Drawer Installation and Removal



- Precise manufacturing processes and high quality ball bearings ensure smooth running action
- Installation and assembly are quick and simple
- For home and office applications where full-extension drawers are required



Quietness



Intelligence



Durability



Eco-Friendliness

BALL BEARING SLIDES

45mm Series Full Extension Ball Bearing Slides - Metric Sizes



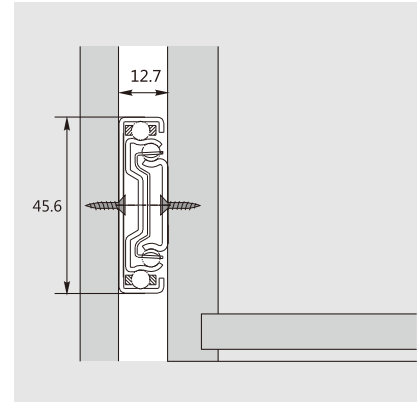
PRODUCT



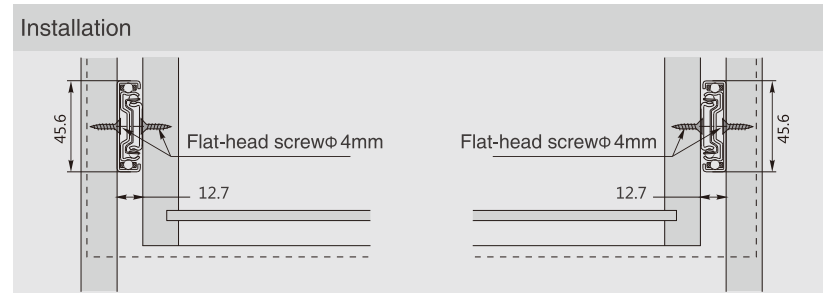
DESCRIPTION

- Load capacity: 100lb(45kg)
- Finish: Blue zinc plated(B02), Black(D01)
- Lengths: 250-600mm
- Full extension
- Single way travel

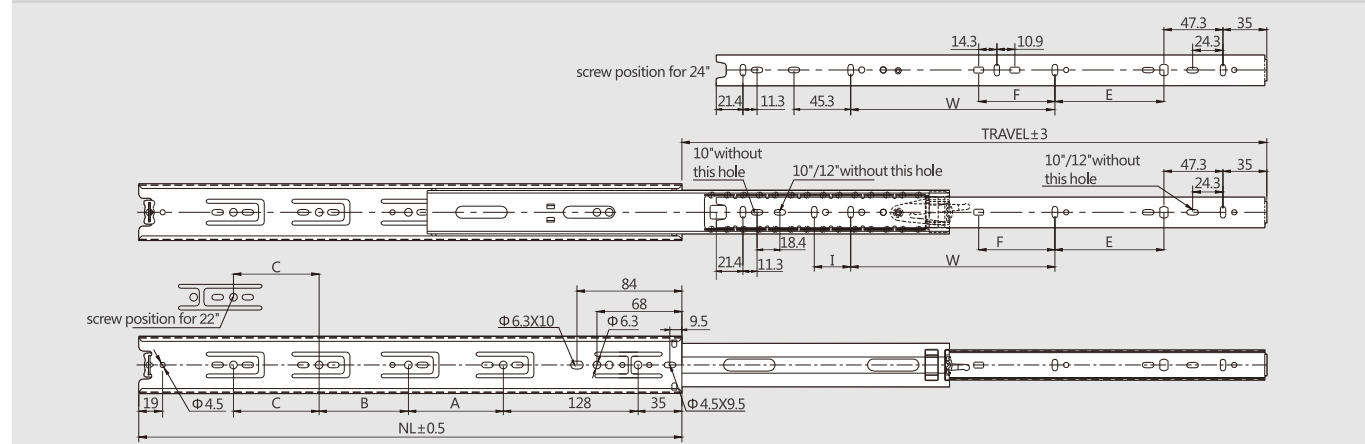
SPACE REQUIREMENT



ORDER INFORMATION



Screw Positions of the Slides(mm)



Installation Dimensions(mm)

Item No.	Length NL	Travel	Hole pattern							Set/ctn	
			A	B	C	E	F	W	I		
45.96.10-D	250	254.4				48.2					10
45.96.12-D	300	304.1	96			48.2					10
45.96.14-D	350	355.3	96			80.7	10				10
45.96.16-D	400	407.1	96	96		80.7	35				10
45.96.18-D	450	459.1	96	128		80.7	60.2	192			10
45.96.20-D	500	507.8	96	192		80.7	85.4	192			10
45.96.22-D	550	557.8	96	128	96	80.7	110.5	192	96		10
45.96.24-D	600	611.9	96	128	128	80.7	110.5	288			10

DTC is always innovating!
For more information, please visit our website www.dtcctc.com